



Email : sales@scilabexport.com

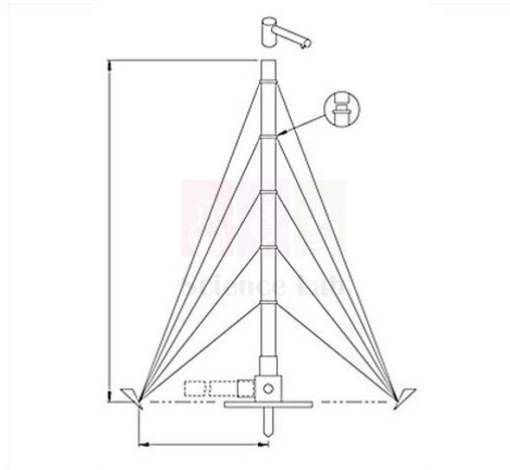
Phone: +91-7082934803

Product Name :

Portable Antenna Aluminium, 12m

Product Code :

SLE/CME/06



Description :

Technical Specifications:

Portable antenna mast kit: four-section collapsible mast, rope guys, erection kit, ground plate, masthead gibbet and halyard pulley

Guy radius: 6m

Wind loading: 12kg overhead load, 144km/h (90mph)

Height: 12m pulled out

Weight: 28.4kg

Weight and Volume:

Estimated weight: 34.4kg

Estimated volume: 0.25cbm

Contact Science Lab for your Educational School Science Lab Equipments. We are best school educational lab equipments manufacturers, school lab equipment export, school lab equipment exporter, school lab equipment manufacturer, school lab equipment manufacturers, school lab equipment manufacturers in india.

Website: <https://scilabexport.com>, **Email:** sales@scilabexport.com

1226/1-5, Bengali Mohalla, Science Market | 133001, Harvana